

GTub Module Air Heater

GTub, Gas Fired Unit Air Heater:

Heavy duty unit air heater,
Suitable for industrial areas and has
proven to be reliable and robust.

Available Capacities:

60kW - 80kW - 100kW - 150kW



Electrical Data Duct		60	80	100	125	150
U	Volt	230	230	230	230	230
P	W	100	150	150	200	200

Unit Size	60	80	100	125	150
Air Vol (m3/hr)	(Pa)	(Pa)	(Pa)	(Pa)	(Pa)
2.000	8				
3.000	17	9			
4.000	30	16	10		
5.000	47	25	16	11	
6.000	68	36	23	15	11
7.000	92	49	31	21	15
8.000	120	64	40	27	20
9.000	151	81	51	35	26
10.000	186	100	62	43	31
11.000	225	121	75	51	38
12.000	267	143	89	61	45
13.000	313	168	105	71	53
14.000		194	121	83	61
15.000		223	139	95	70
16.000		253	158	108	80
17.000		285	178	121	90
18.000		320	199	136	101
19.000			222	151	112
20.000			245	167	124
21.000			270	184	136
22.000			296	202	149
23.000			324	221	163
24.000				240	178
25.000				261	193
26.000				282	208
27.000				303	224
28.000				326	241
29.000					258
30.000					276

GTub heaters are provided with:

- electronic ignition.
- remote reset.
- modulating burner control.
- robust tubular heat exchanger.
- simple 2-wire control

GTub Module Air Heater

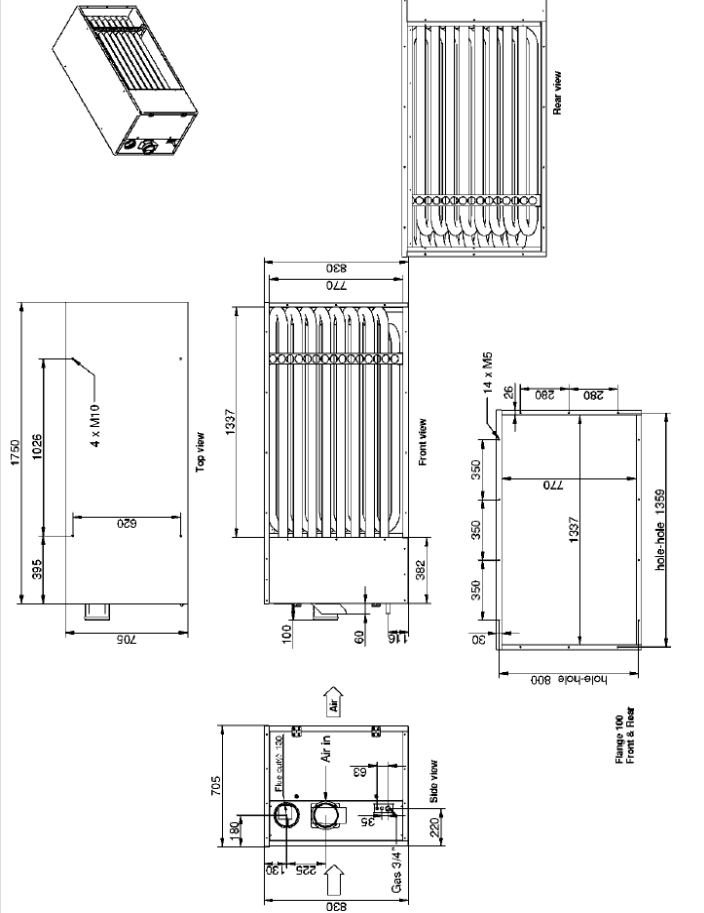


Air Volume		60	80	100	125	150
Min.Air High settings	m3/hr	5400	7200	9000	11000	13000
Min.Air Low settings	m3/hr	3600	4800	6000	7500	9000

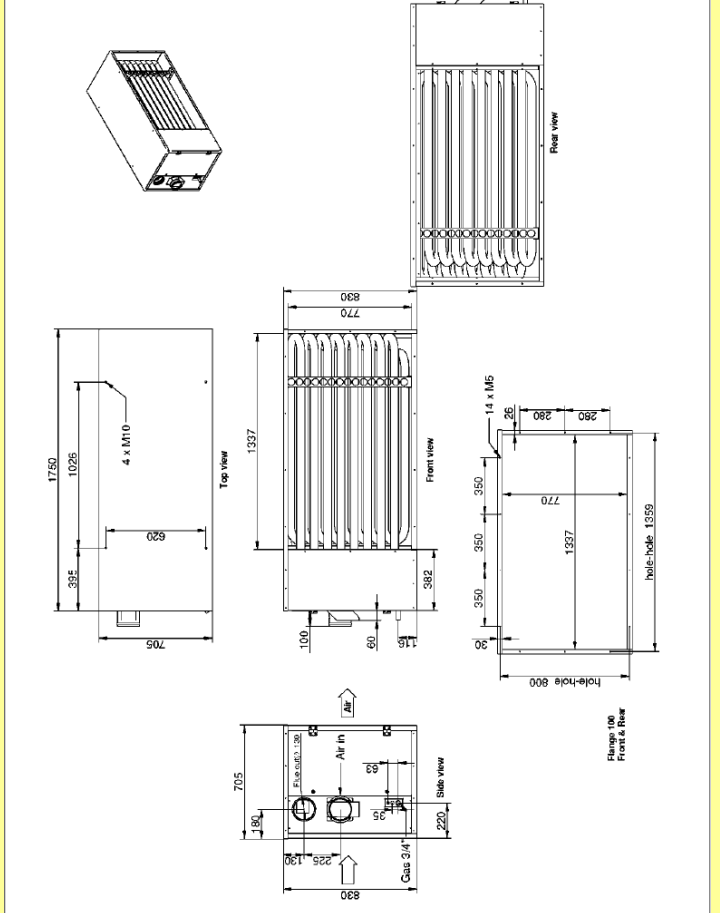
TECHNICAL DETAILS

Type			TR60	TR80	TR100	TR125	TR150
Maximum nominal heat input (Nett)		kW	65.50	83.00	110.00	134.50	159.00
Minimum nominal heat input (Nett)		kW	44.00	53.50	73.50	90.00	105.00
Efficiency max power		%	91.50	91.50	91.50	91.50	91.50
Efficiency min power		%	88.00	88.00	89.00	89.50	89.50
Maximum heat output		kW	59.90	75.90	100.70	123.10	145.50
Minimum heat output		kW	38.70	47.10	65.40	80.60	93.98
Max air output		m3/h	6000	8000	10000	12500	15000
Electric connection		Volt	230	230	230	230	230
Gas connection		G"	3/4"	3/4"	3/4"	3/4"	3/4"
Natural gas G20			Gas category II2H3P				
Min supply pressure	G20 (H)	mbar	20	20	20	20	20
Class		Clas.	B22, C12, C32.				
Max gas consumption	G20 (H)	m3/h	6.90	8.80	11.60	14.20	16.80
burner pressure high	(H)	mbar	6.50	7.40	8.00	6.90	6.70
burner pressure low		mbar	3.00	3.20	3.50	2.90	2.80
CO2 high (indication)	G20 (H)	%	8.00	8.30	8.20	8.00	7.60
Nox class			3	3	3	3	3
Propane G31			Gas category II2H3P				
Min supply pressure	G31 (P)	mbar	30	30	30	30	30
Class		Clas.	B22, C12, C32.				
Max gas consumption	G31 (P)	kg/h	5.20	6.60	8.80	10.70	12.70
burner pressure high	(P)	mbar	17.50	19.50	19.50	20.00	19.00
burner pressure low		mbar	8.00	8.10	8.50	8.50	8.00
CO2 high (indication)	G31 (P)	%	9.30	9.20	9.50	9.00	9.00
Nox class			3	3	3	3	3

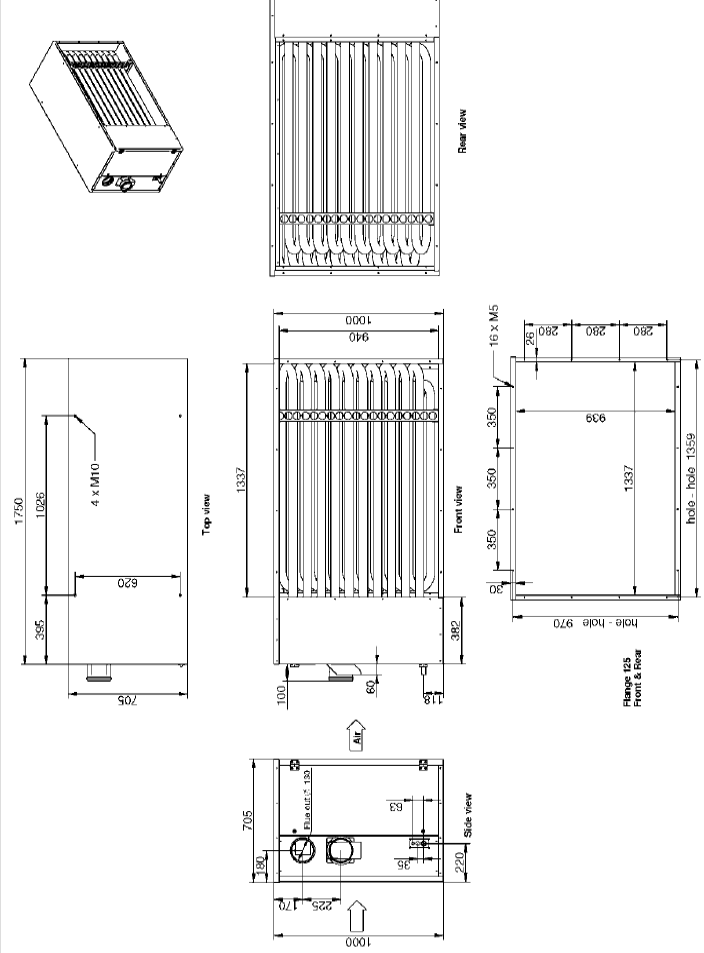
Diam.GTub-D 60 & 80:



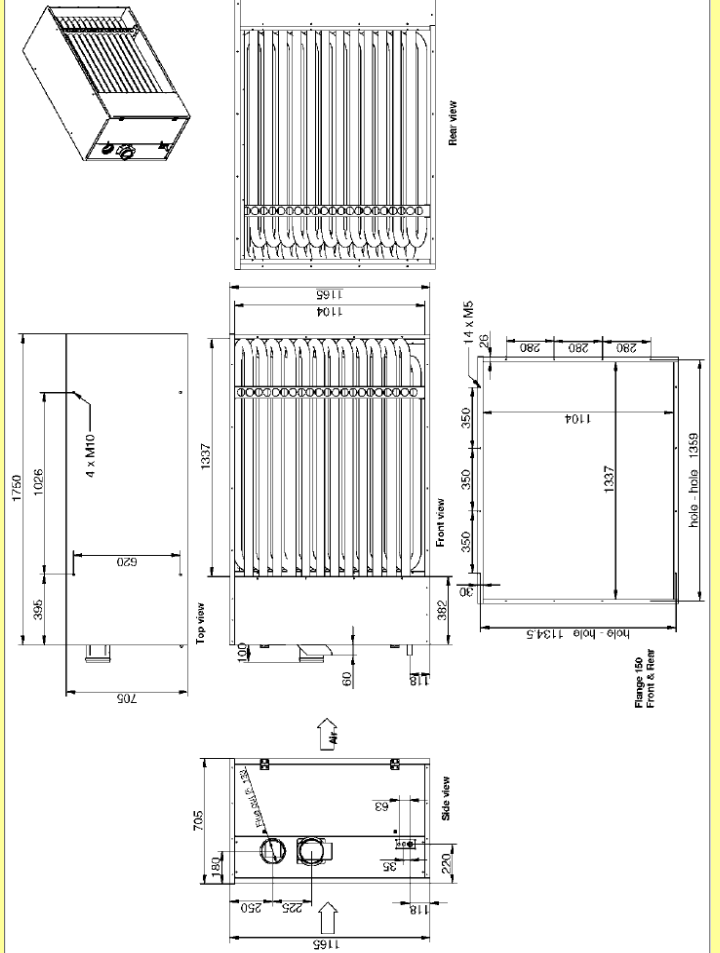
Diam.GTub-D 100:

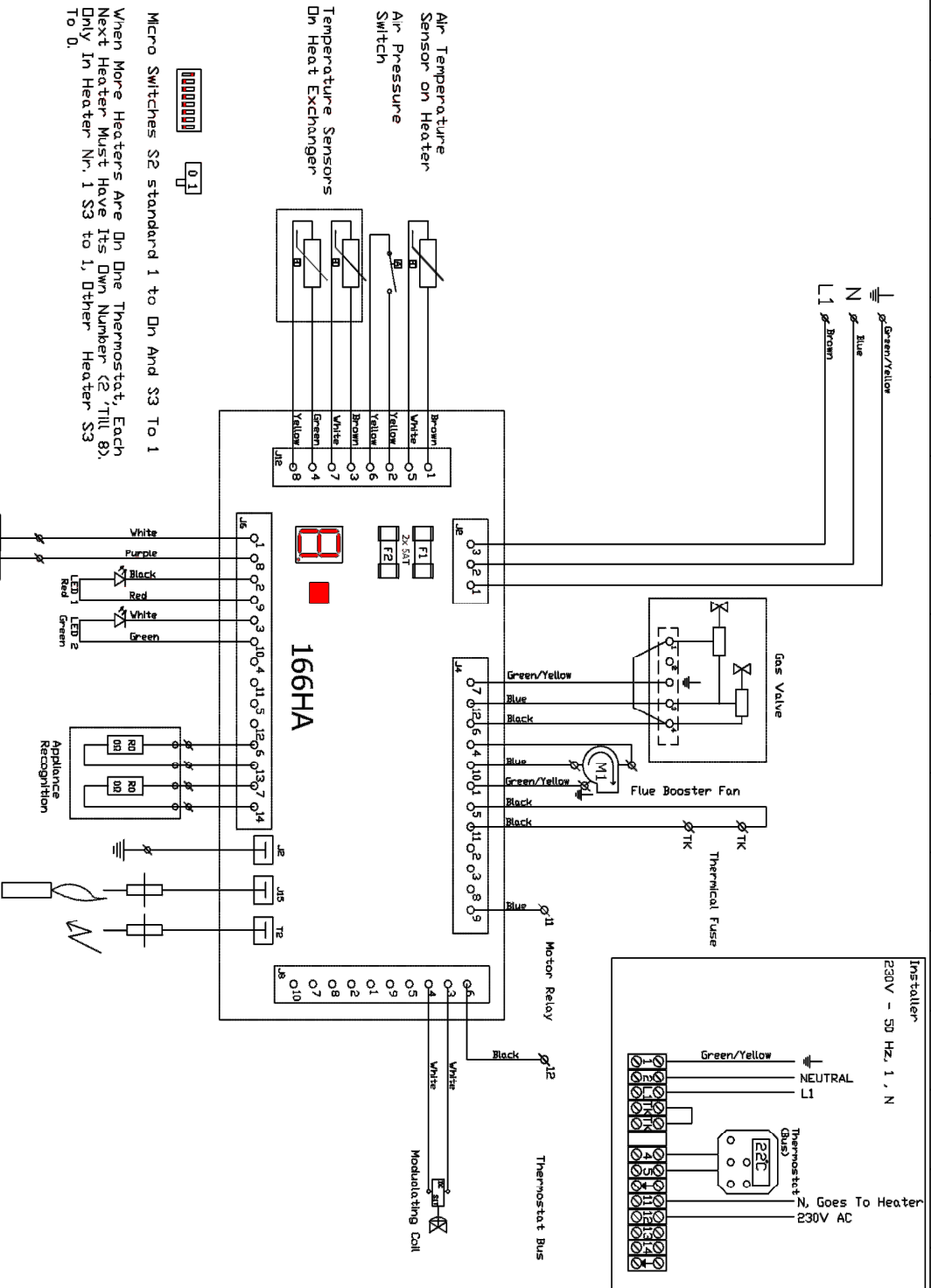


Diam.GTub-D 125 :



Diam.GTub-D150 :





Micro Switches S2 standard 1 to Dn And S3 To 1
 When More Heaters Are On One Thermostat, Each
 Next Heater Must Have Its Own Number (2, Till 8),
 Only In Heater Nr. 1 S3 to 1, Other Heater S3
 To 0.

CUSTOMER	MARK EIRE	PROPERTY OF	MARK EIRE
PROJECT	GIUDE-D Series 230 Volt 1 PH	HEAT	1
PRODUCT DESCRIPTION		SCALE IN	DRAWING
		DRS P N	000000
		PAGE 1/2	3
		DATE 28-11-12	ORDER
			000000
			4
			5